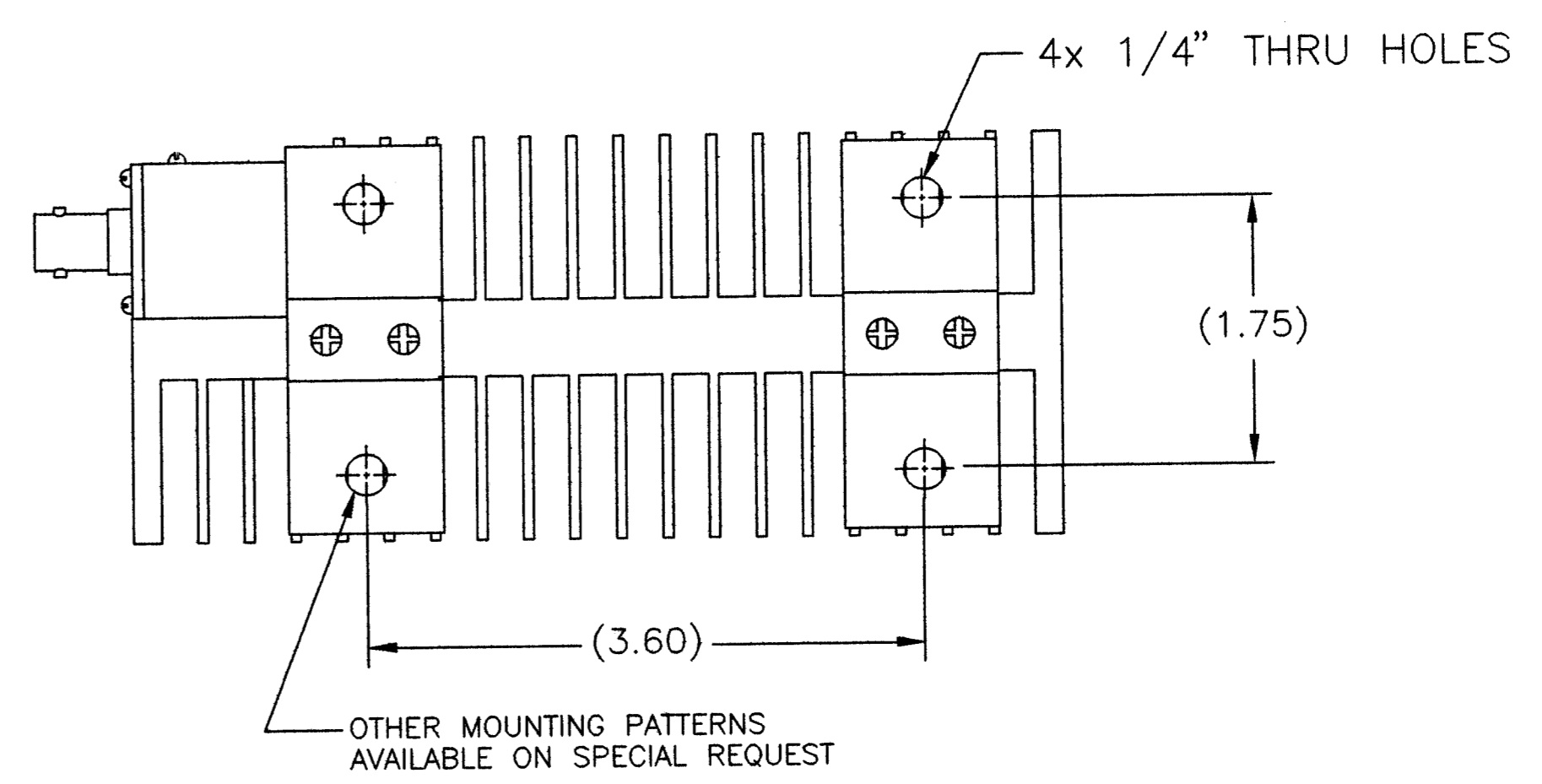
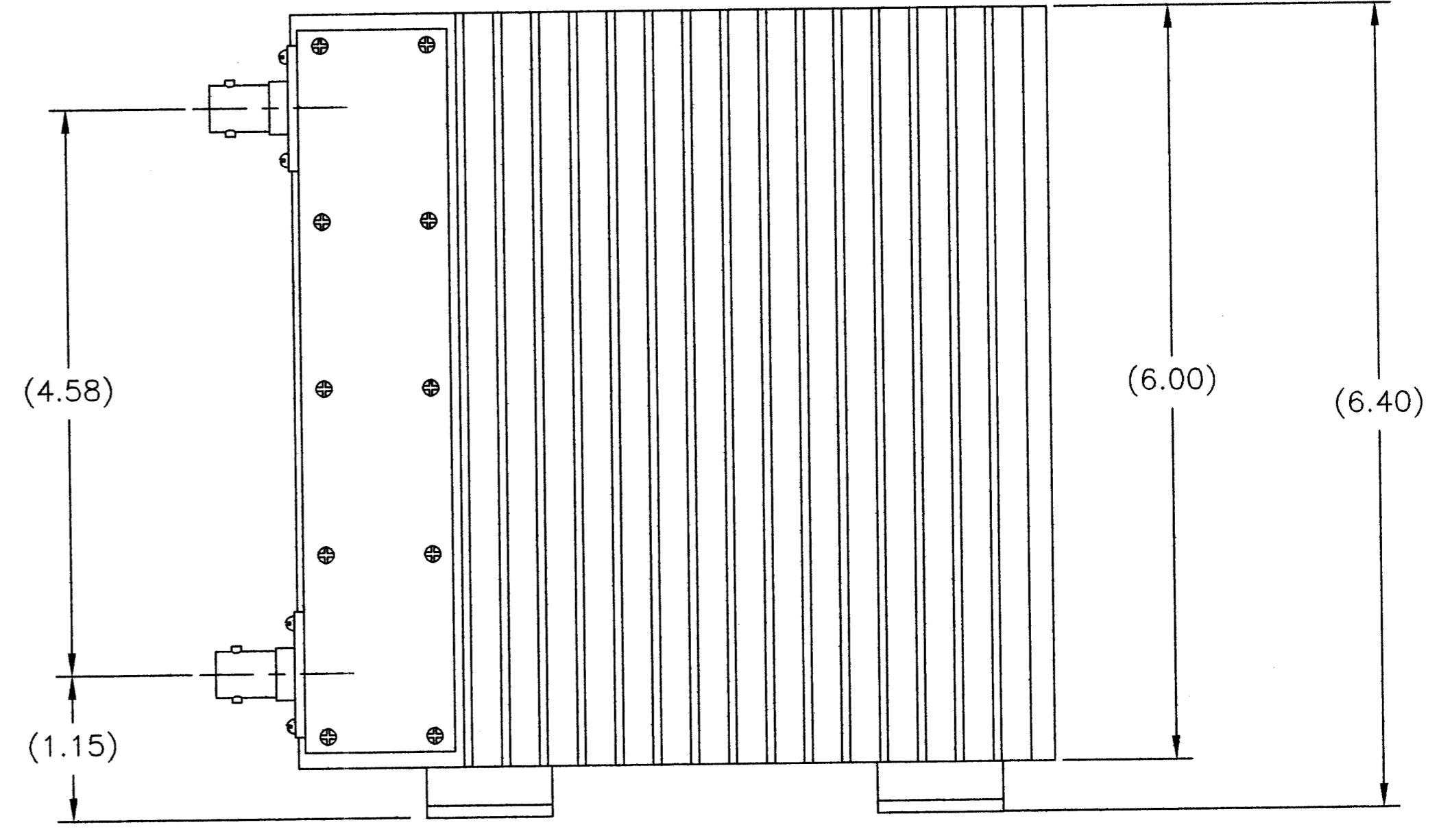
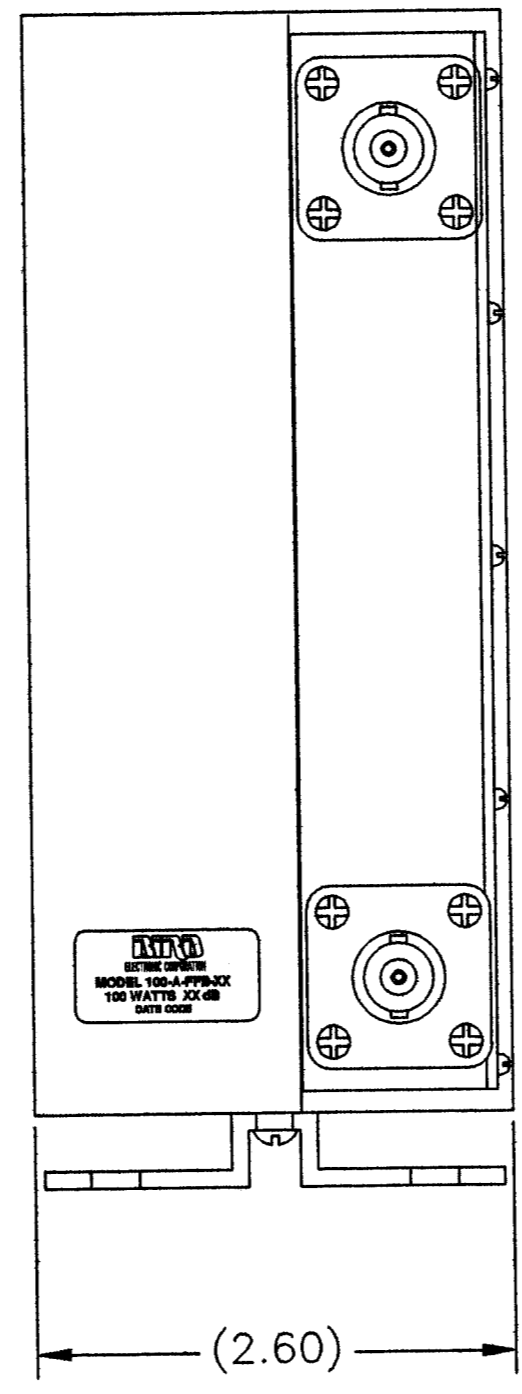
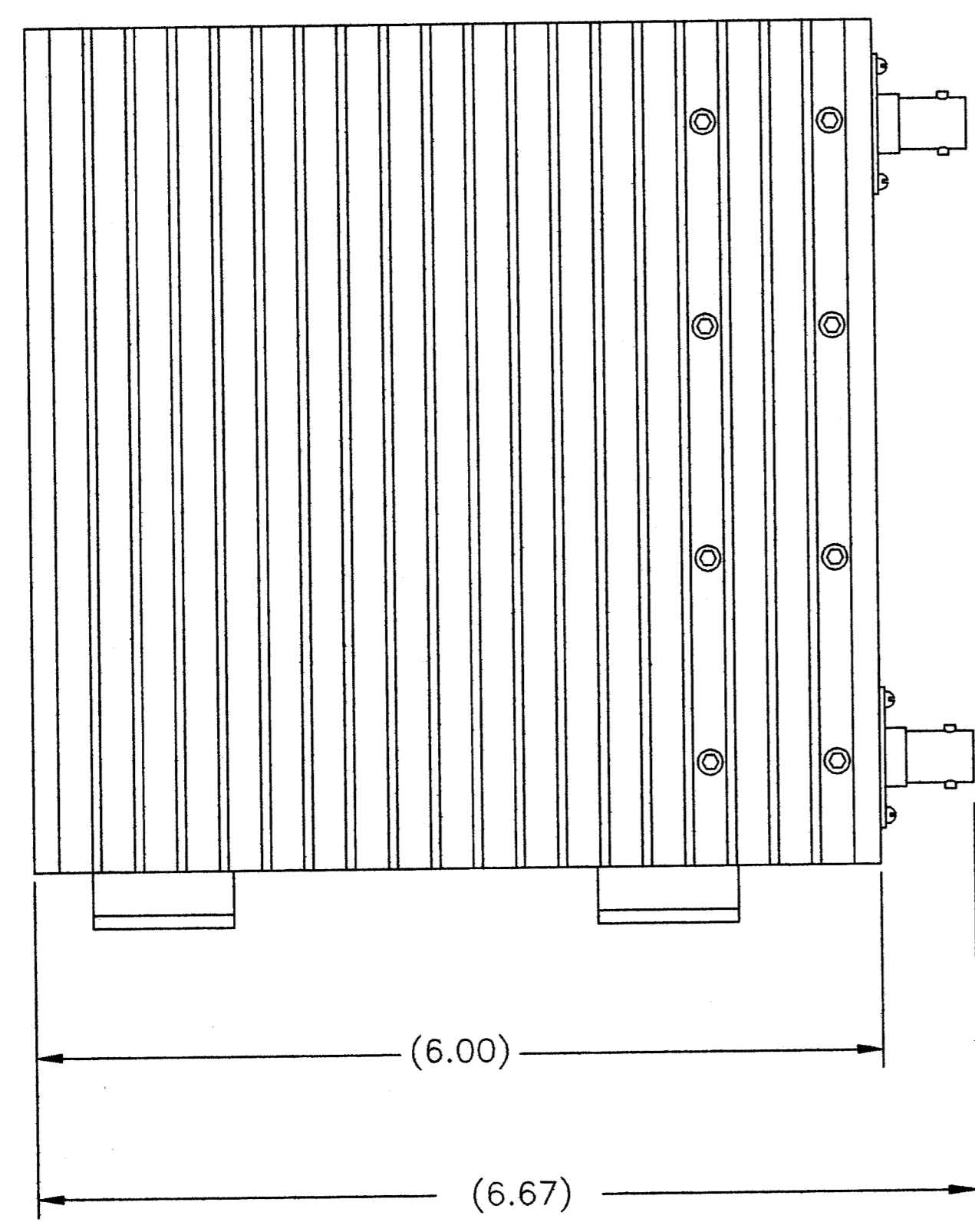


REVISIONS				
ZONE	REV	DESCRIPTION	DATE	APPROVED
A		DRAWING RELEASE PER DMD DMR	3-23-04	<i>MEL</i>

SPECIFICATIONS:
 POWER RATING: 100 WATT CW (BI-DIRECTIONAL)
 FREQUENCY RANGE & VSWR:
 DC TO 1GHz AT 1.10:1 MAX.
 1GHz TO 2.4GHz AT 1.25:1 MAX.
 AMBIENT TEMPERATURE RANGE: -40°C TO +40°C
 CONNECTORS: BNC FEMALE - TRI-ALLOY PLATED
 DRY LOAD: CONVECTION COOLED



XX = DASH NUMBER (dB VALUE)

DASH NO.	dB ATTN.	DC - 1GHz ATTENUATOR	1 - 2.4GHz ACCURACY ±dB
-30	30	±0.8 dB	±1.3 dB
-20	20	±0.5 dB	±1.0 dB
-10	10	±0.4 dB	±0.8 dB
-06	6	±0.4 dB	±0.6 dB
-03	3	±0.3 dB	±0.5 dB
-02	2	±0.3 dB	±0.5 dB
-01	1	±0.3 dB	±0.5 dB

NOTE:
 FOR VALUES NOT LISTED, REFER TO THE NEXT HIGHER ATTENUATION LEVEL FOR SPECIFICATIONS. FOR ATTENUATION VALUES GREATER THAN THE HIGHEST LISTED ATTENUATION VALUE, REFER TO THE VALUE 1/2 THE DESIRED ATTENUATION LEVEL, THEN DOUBLE THE LISTED SPECIFICATION VALUES, UNLESS OTHERWISE SPECIFIED.

DIMENSIONS HEREON ARE FOR CUSTOMER CONVENIENCE AND REFERENCE ONLY. TOLERANCE TO BE APPLIED ONLY WHERE INDIVIDUALLY STATED ON THE RESPECTIVE DIMENSION. -DO NOT SCALE DRAWING-

UNLESS OTHERWISE SPECIFIED DIMENSIONS ARE IN INCHES TOLERANCES ARE FRACTIONS DECIMALS ANGLES ±1/64 ±.010 ±.30° ±.000 ±.008		MILLIMETERS .XX ±.4 .XX ±.12		THIS DRAWING IS THE PROPERTY OF THE BIRD ELECTRONIC CORPORATION. THE DESIGNS AND SPECIFICATIONS DISCLOSED HEREON ARE PROPRIETARY AND SHALL NOT BE REPRODUCED, NOR COPIED, NOR USED AS THE BASIS FOR THE MANUFACTURE OR SALE OF APPARATUS OR DEVICES WITHOUT THEIR EXPRESS WRITTEN CONSENT.		BIRD Electronic Corporation Cleveland (Solon) Ohio USA	
DO NOT SCALE DRAWING		APPROVALS		DATE		TITLE	
DRAWN		D.M.RINK		3-23-04		ATTENUATOR, CONVECTION COOLED, 100W	
CHECKED						SIZE FSCM NO. 70998 DWS. NO. 100-A-FFB-XX	
APPROVED		3-29-04		<i>MEL</i>		SCALE NONE TCONM CODE AT1 SHEET 1 OF 1	
FINISH		AUTOCAD				REV A	